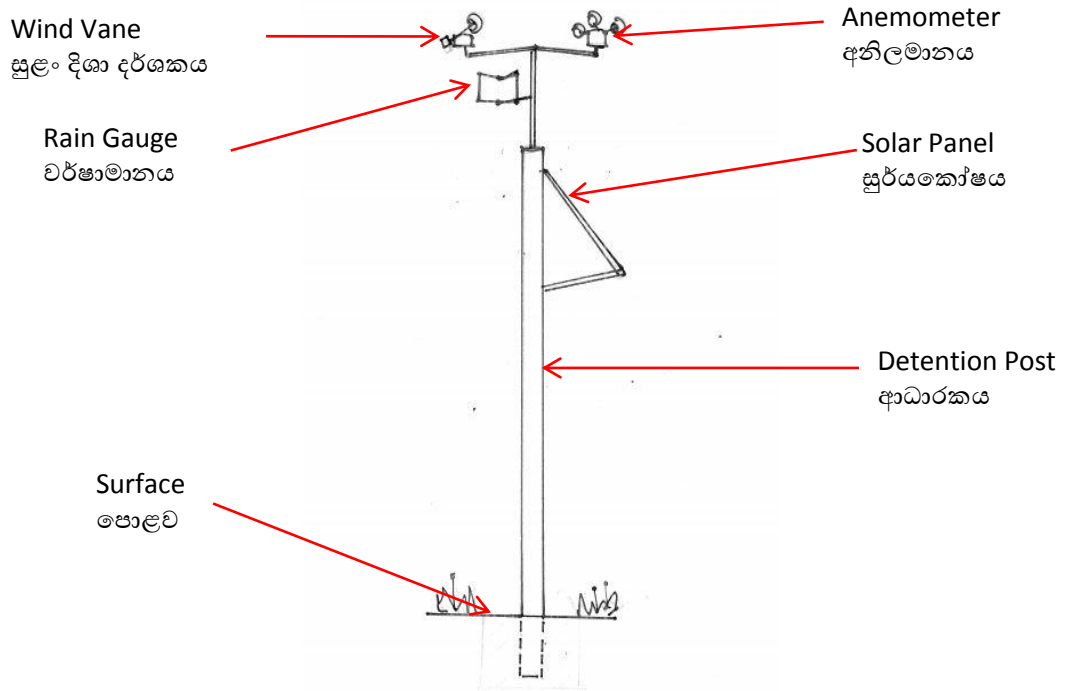
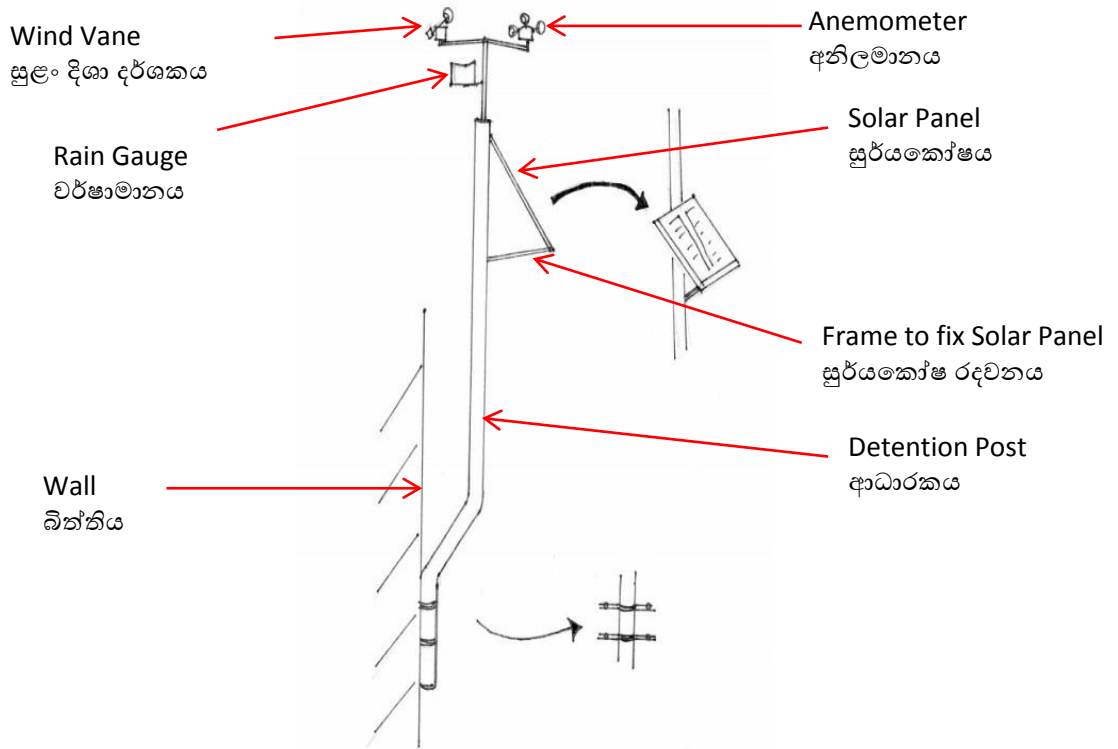


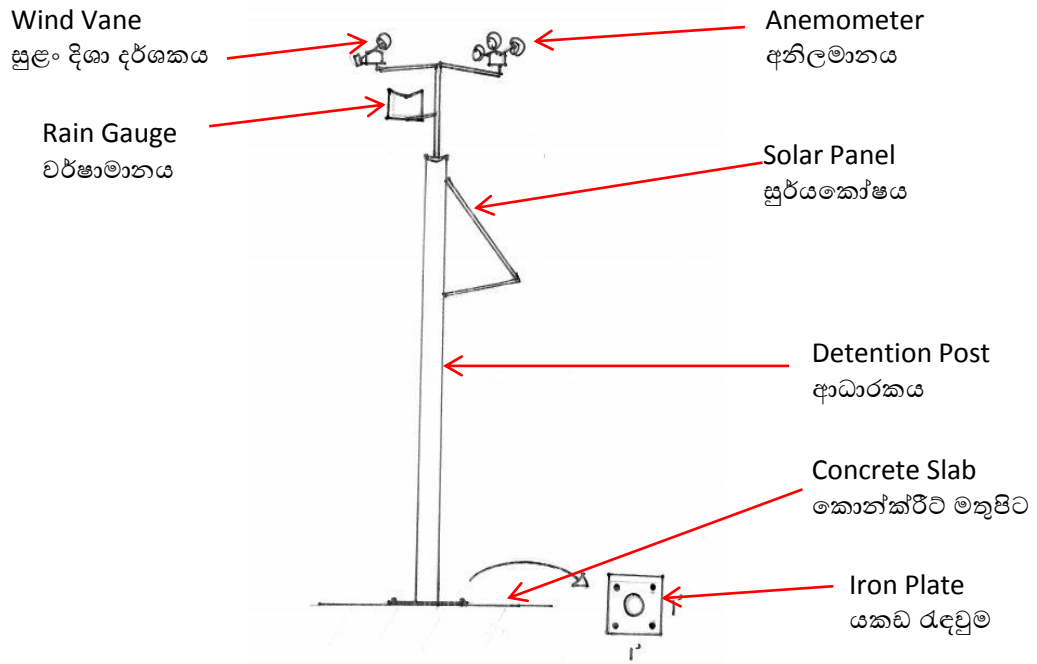
Weather Station detained on the ground surface using detention post



Weather Station mounted on wall using detention post



Weather Station fixed on concrete slab using detention post



Weather Station fixed on garden post using detention post

