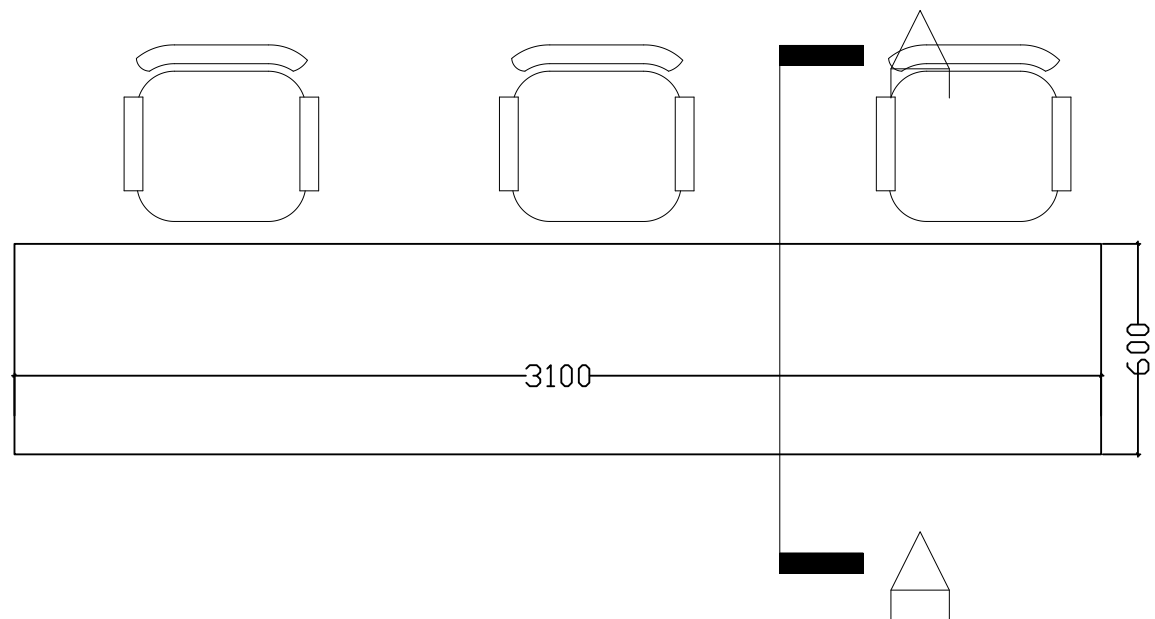


AD-TB-02



25mm THK MELAMINE BOARD, TIMBER TEXTURED

BLACK/GRAY RUBBER LEG PADDINGS

LEGS TO HAVE PROVISION FOR WIRES UP TILL TRUNKING PROVIDED BELOW THE TABLE TOP

SECTION A-A

25mm THK MELAMINE TIMBER TEXTURE TOP PANEL

TIMBER TEXTURED MELAMINE MODESTY PANEL
3"x2" SECTION POWDER COATED (grey)

750

PROJECT : Proposed Auditorium and Office space for IWMI

SCALE : 1:20

DATE : 11.03.2024

PAPER SIZE : A3

DRAWING TITLE : First floor - Furniture

DRAWING NO:

DRAWN BY :

CLIENT : IWMI

DESIGNED BY : SHA

CHECKED BY : SHA

NOTE : Copyright designs shown are retained by Sheran Henry Associates and authority is required for any reproduction. All dimensions must be checked & co-related with the structural drawings and any ambiguity shall be immediately brought to the notice of the architects before commencement of work.

SHERAN HENRY ASSOCIATES
 CHARTERED ARCHITECTS/DESIGNERS
 25/3, LAURIES ROAD, COLOMBO 4.
 TELEPHONE 591277 FAX 5336694
 E-MAIL chrysant@slt.lk