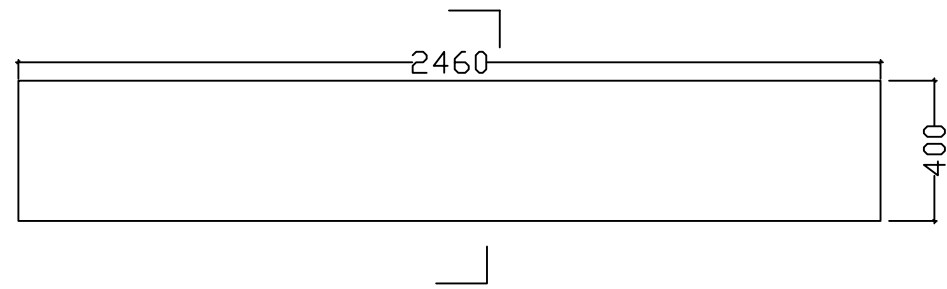
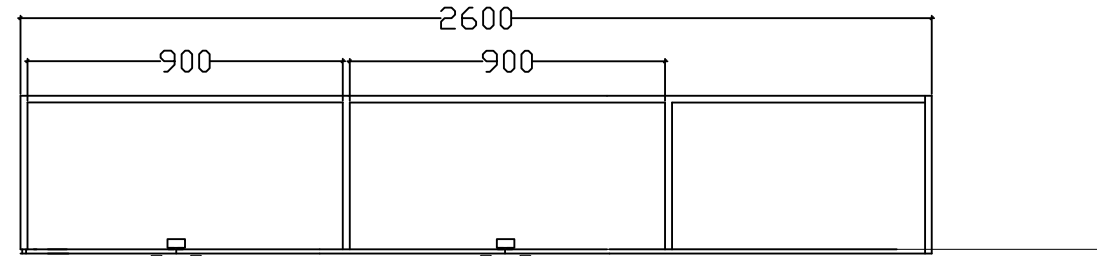


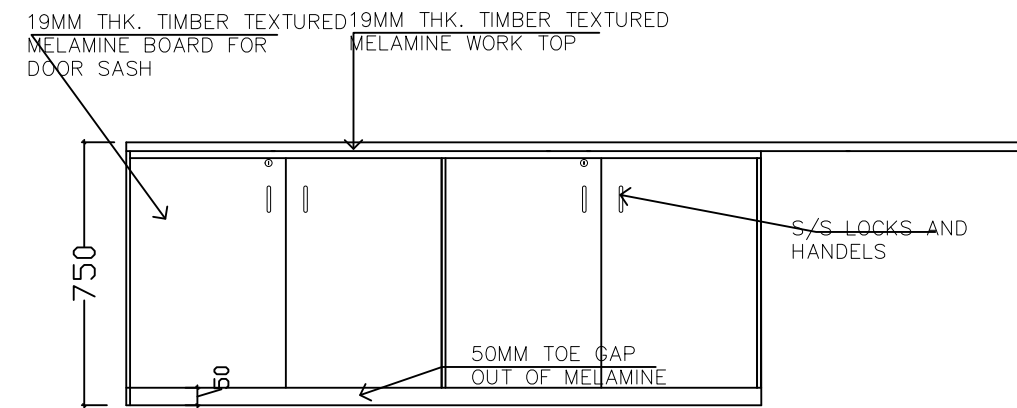
OF-CB-01



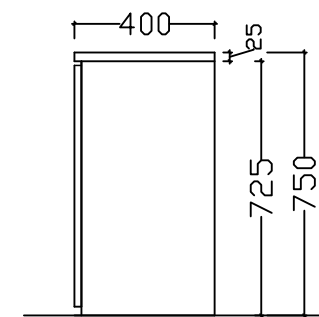
PLAN- WITH TABLE TOP



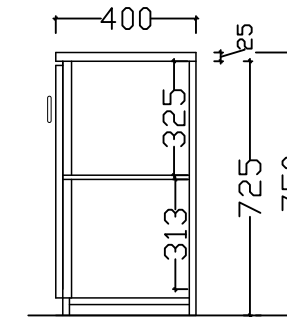
PLAN- WITHOUT CUPBOARD TOP



ELEVATION A



ELEVATION B



SECTION A-A

PROJECT : Proposed Auditorium and Office space for IWMI

SCALE : 1:20

DATE : 11.03.2024

PAPER SIZE : A3

DRAWING TITLE : First floor - Furniture

DRAWING NO:

DRAWN BY :

CLIENT : IWMI

DESIGNED BY : SHA

CHECKED BY : SHA

NOTE : Copyright designs shown are retained by Sheran Henry Associates and authority is required for any reproduction. All dimensions must be checked & co-related with the structural drawings and any ambiguity shall be immediately brought to the notice of the architects before commencement of work.

SHERAN HENRY ASSOCIATES

CHARTERED ARCHITECTS/DESIGNERS
25/3, LAURIES ROAD, COLOMBO 4.
TELEPHONE 591277 FAX 5336694
E-MAIL chrysant@slt.lk