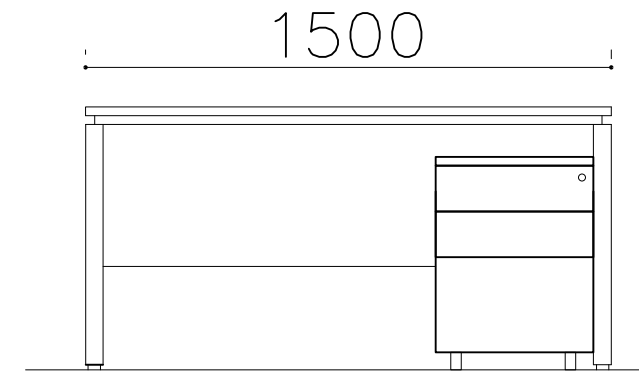
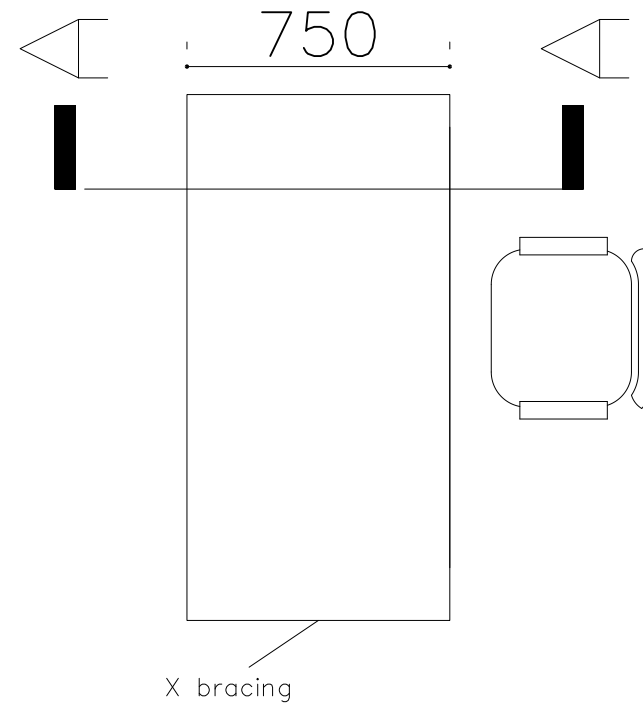


# WS-TB-01



25mm THK MELAMINE BOARD, TIMBER TEXTURED  
 50mmx25mm dark grey powder coated box bar  
 3"x2" SECTION POWDER COATED (Dark grey)  
 25mmx25mm dark grey powder coated box bars

2"x2" dark grey powder coated box bars

BLACK/GRAY RUBBER LEG PADDINGS

LEGS TO HAVE PROVISION FOR WIRES UP TILL TRUNCKING PROVIDED BELOW THE TABLE TOP

ELEVATION B

25mm THK MELAMINE BOARD, TIMBER TEXTURED

BLACK/GRAY RUBBER LEG PADDINGS

LEGS TO HAVE PROVISION FOR WIRES UP TILL TRUNCKING PROVIDED BELOW THE TABLE TOP

SECTION A-A

PROJECT : Proposed Auditorium and Office space for IWMI

SCALE : 1:20

DATE : 11.03.2024

PAPER SIZE : A3

DRAWING TITLE : First floor - Furniture

DRAWING NO:

DRAWN BY :

CLIENT : IWMI

DESIGNED BY : SHA

CHECKED BY : SHA

NOTE : Copyright designs shown are retained by Sheran Henry Associates and authority is required for any reproduction. All dimensions must be checked & co-related with the structural drawings and any ambiguity shall be immediately brought to the notice of the architects before commencement of work.

**SHERAN HENRY ASSOCIATES**  
 CHARTERED ARCHITECTS/DESIGNERS  
 25/3, LAURIES ROAD, COLOMBO 4.  
 TELEPHONE 591277 FAX 5336694  
 E-MAIL chrysant@slt.lk