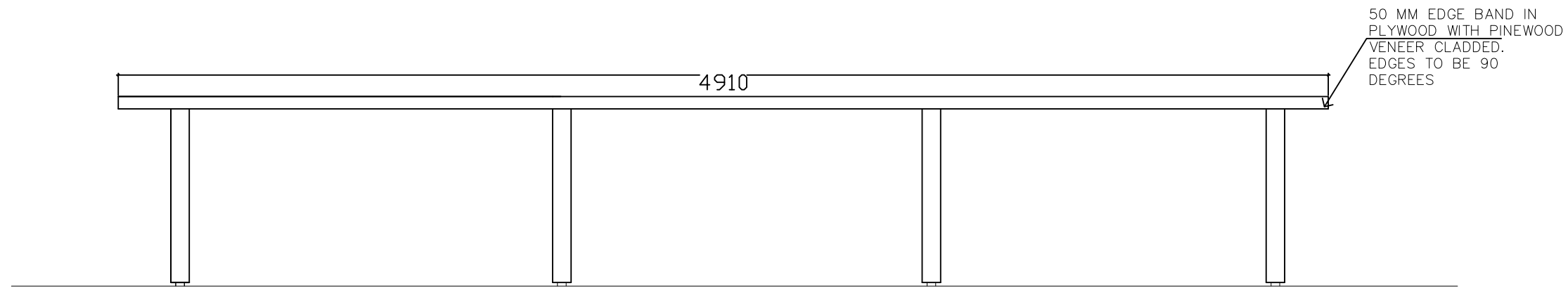
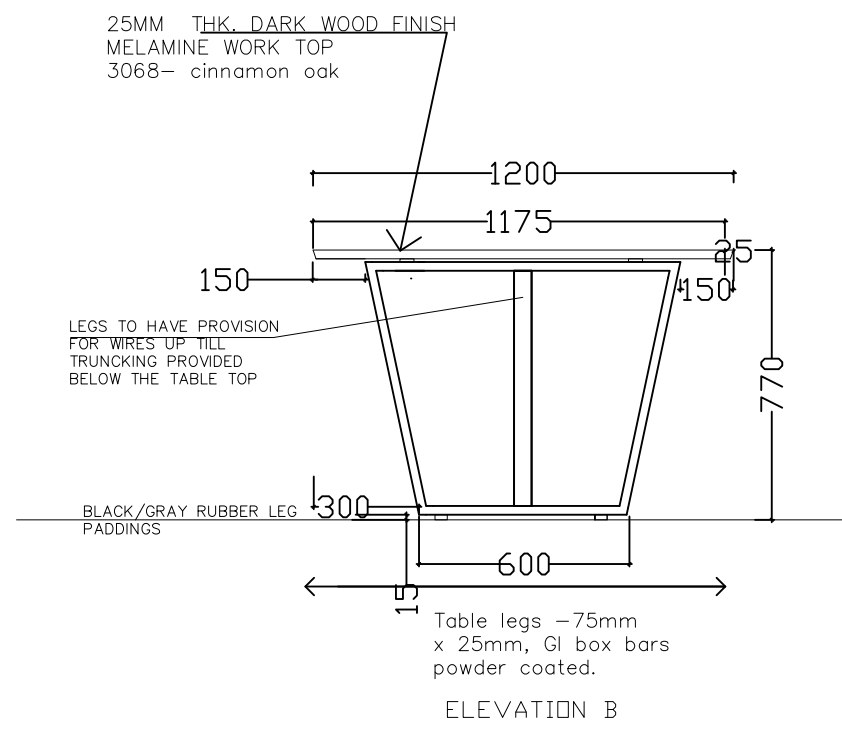
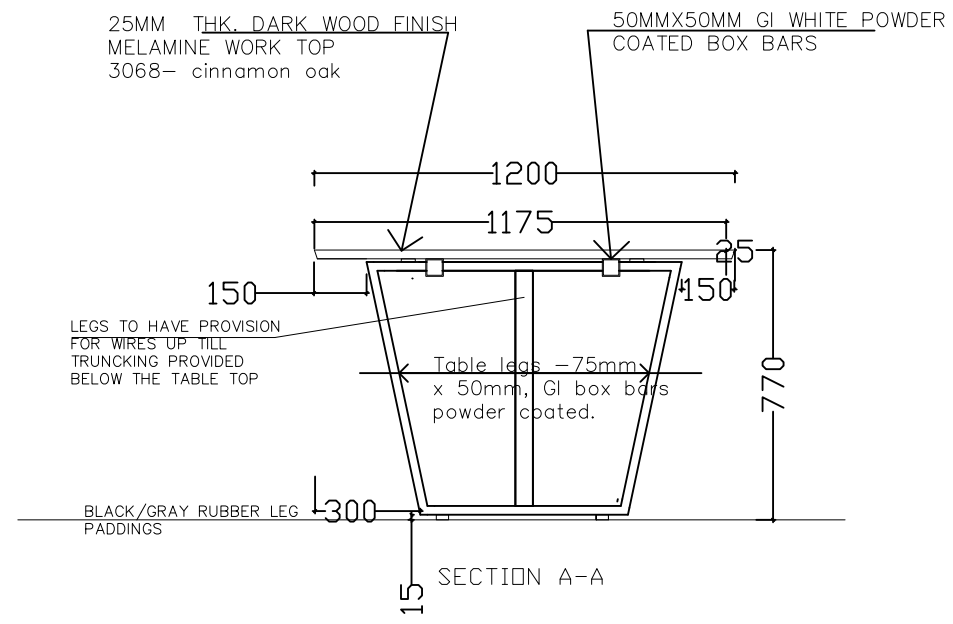



MT-TB-01



ELEVATION A



ELEVATION B

PROJECT : Proposed Auditorium and Office space for IWMI	SCALE : 1:20	DATE : 11.03.2024	PAPER SIZE : A3	 SHERAN HENRY ASSOCIATES CHARTERED ARCHITECTS/DESIGNERS 25/3, LAURIES ROAD, COLOMBO 4. TELEPHONE 591277 FAX 5336694 E-MAIL chrysant@slt.lk
DRAWING TITLE : First floor - Furniture	DRAWING NO:		DRAWN BY :	
CLIENT : IWMI	DESIGNED BY : SHA		CHECKED BY : SHA	
NOTE : Copyright designs shown are retained by Sheran Henry Associates and authority is required for any reproduction. All dimensions must be checked & co-related with the structural drawings and any ambiguity shall be immediately brought to the notice of the architects before commencement of work.				